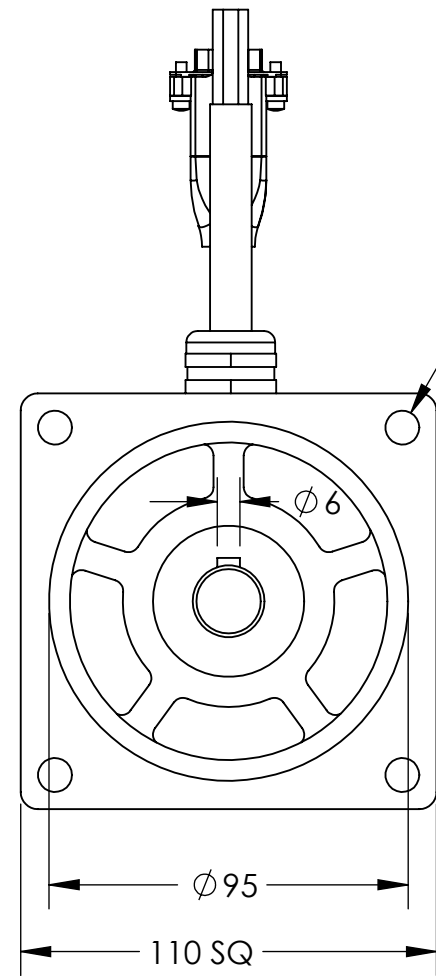


- NOTE:
1. Kt AND Ke BASED ON RMS SINE WAVE DRIVE
 2. 10 POLE DESIGN
 3. HI-POT: 600 VAC, 1 SEC, 5 mA

PART REVISION HISTORY					
REV.	DESCRIPTION	ECO	DWN	CHKD	DATE



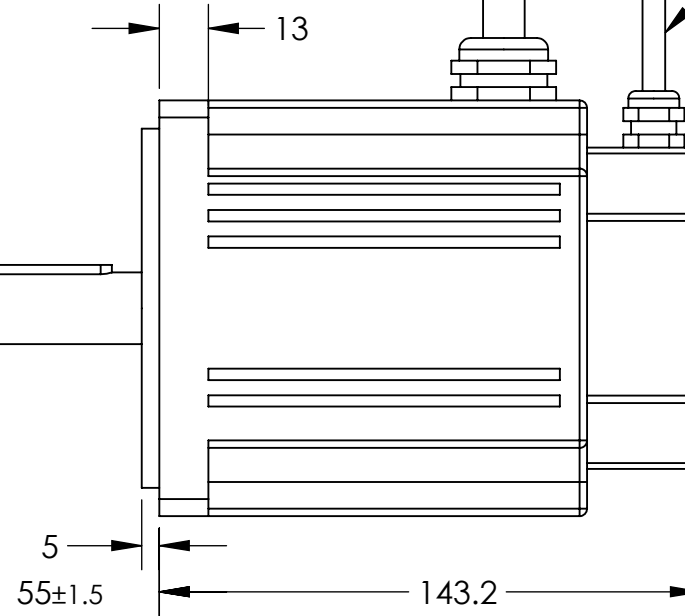
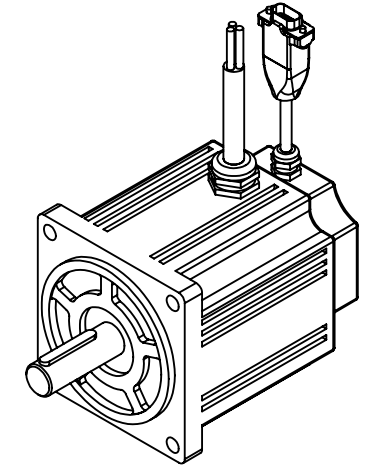
(4) $\phi 9$ THRU HOLES EQ
SP ON 130 mm B.C.

$\phi 19.000$
 $\phi 18.988$

MOTOR CABLE, 3X 16 AWG,
500 mm LONG

ENCODER CONNECTOR
AMP 748364-1
HD D-SUB MALE

ENCODER CABLE,
500 mm LONG
SHIELDED



MOTOR PARAMETERS		
		MP110-2A
SUPPLY VOLTAGE	VDC	48
RATE SPEED	RPM	3000
RATED TORQUE @ 3000 RPM	N-m	4
POWER @ RATED SPEED	WATTS	1257
PEAK TORQUE	N-m	12
CONTINUOUS CURRENT 0-p	AMPS	35
PEAK CURRENT 0-p	AMPS	105
VOLTAGE CONSTANT, Ke rms	V/KRPM	8.62
TORQUE CONSTANT, Kt rms	N-m/A	.114
RESISTANCE	OHM	0.041
INDUCTANCE	mH	.27
NUMBER OF POLES		10
WEIGHT	Kg	4.45

FEEDBACK		
AMP 748364-1		
Pin	Color	Function
1	Red	5 vdc
2	Black	GND
3	Blue	Chl A
4	BLU/BLK	Chl A/
5	Green	Chl B
6	GRN/BLK	Chl B/
7	Yellow	Index
8	YeEL/BLK	Index/
9		
10	White	
11	Brown	COMM A
12	Gray	COMM B
13	WHT/ORG	COMM C
14		
15	Shield	Shield

ENCODER SPECIFICATIONS	
TYPE	OPTICAL
OUTPUT TYPE	LINE DRIVER
LINE COUNT	2500
GATED	A / B AT 90 DEDREE
INPUT VOLTAGE	5 VDC +/- 5%
CURRENT	60 mA TYPICAL

Motor leads	
Color	Function
Yellow	Phase U
Red	Phase V
Black	Phase W

NOTICE ON REPRODUCTIONS
THIS DRAWING THE DESIGN AND THE PATENTS IT COVERS ARE THE PROPERTY OF CYMATIX, INC., OR THEIR CUSTOMERS. THEY WILL NOT BE REPRODUCED, COPIED, LOANED, EXHIBITED NOR USED EXCEPT IN THE LIMITED WAY AND THE PRIVATE USE PERMITTED BY THE CONSENT GIVEN BY THE LENDER TO THE BORROWER.

TOLERANCES UNLESS OTHERWISE SPECIFIED (U.O.S.)

DECIMALS	C'BREAKS	FRAC.	MACH. FIN.
.XX = ± .01	.010/.020	1/64	125
.XXX = ± .005	FILLETS	ANGLES	1°
.XXXX = ± .0005	.020 MAX		



MATERIAL		FINISH		TITLE: BL MOTOR, 110 MM, 48 VDC 2500 PPR	
DRAWN	JPB	DATE	01/02/25	PART NO.	MP110-2A-MX2500-CN-001
CHECKED		DATE		DWG.NO.	R
SCALE: NONE		SHEET 1 OF 1		PART REV. A	

8 7 6 5 4 3 2 1

8 7 6 5 4 3 2 1